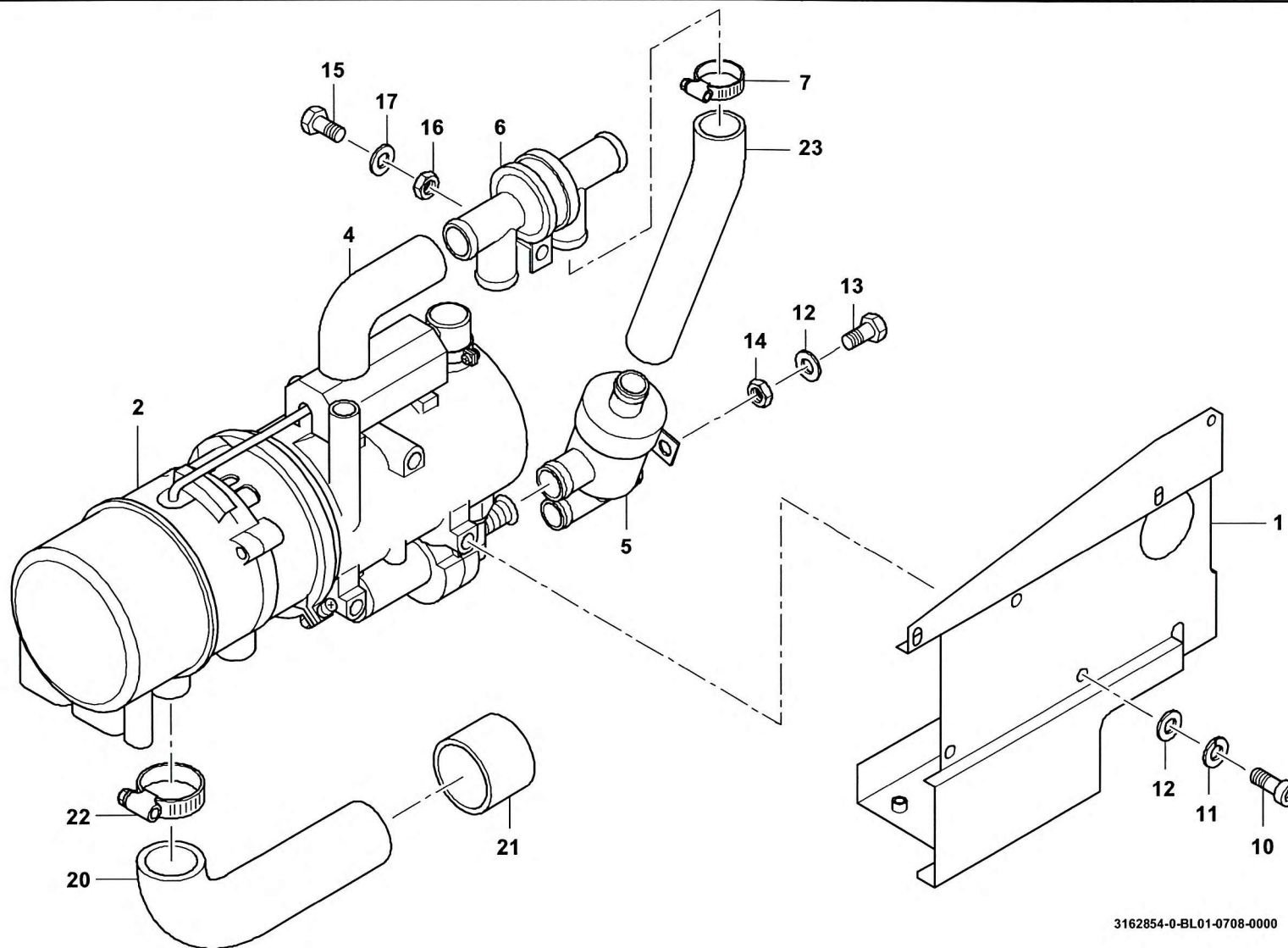


GROVESTANDHEIZUNG
AUXILIARY HEATINGBILDTADEL
PICTORIAL DISPLAY

07.08

3162854-ETL #

1/1

GMK 5095
BE 753
G 291

3162854-0-BL01-0708-0000